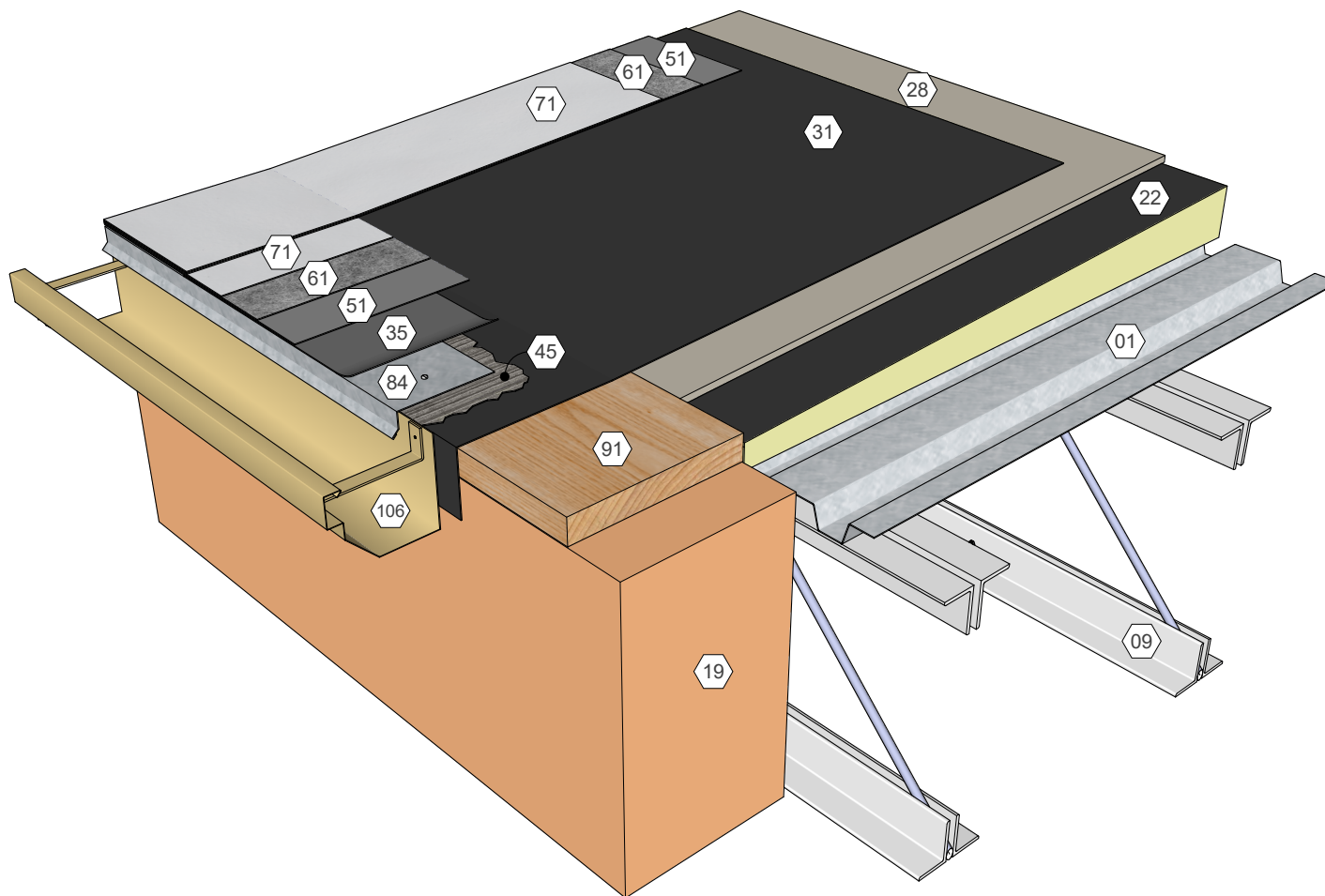


## KEY NOTES

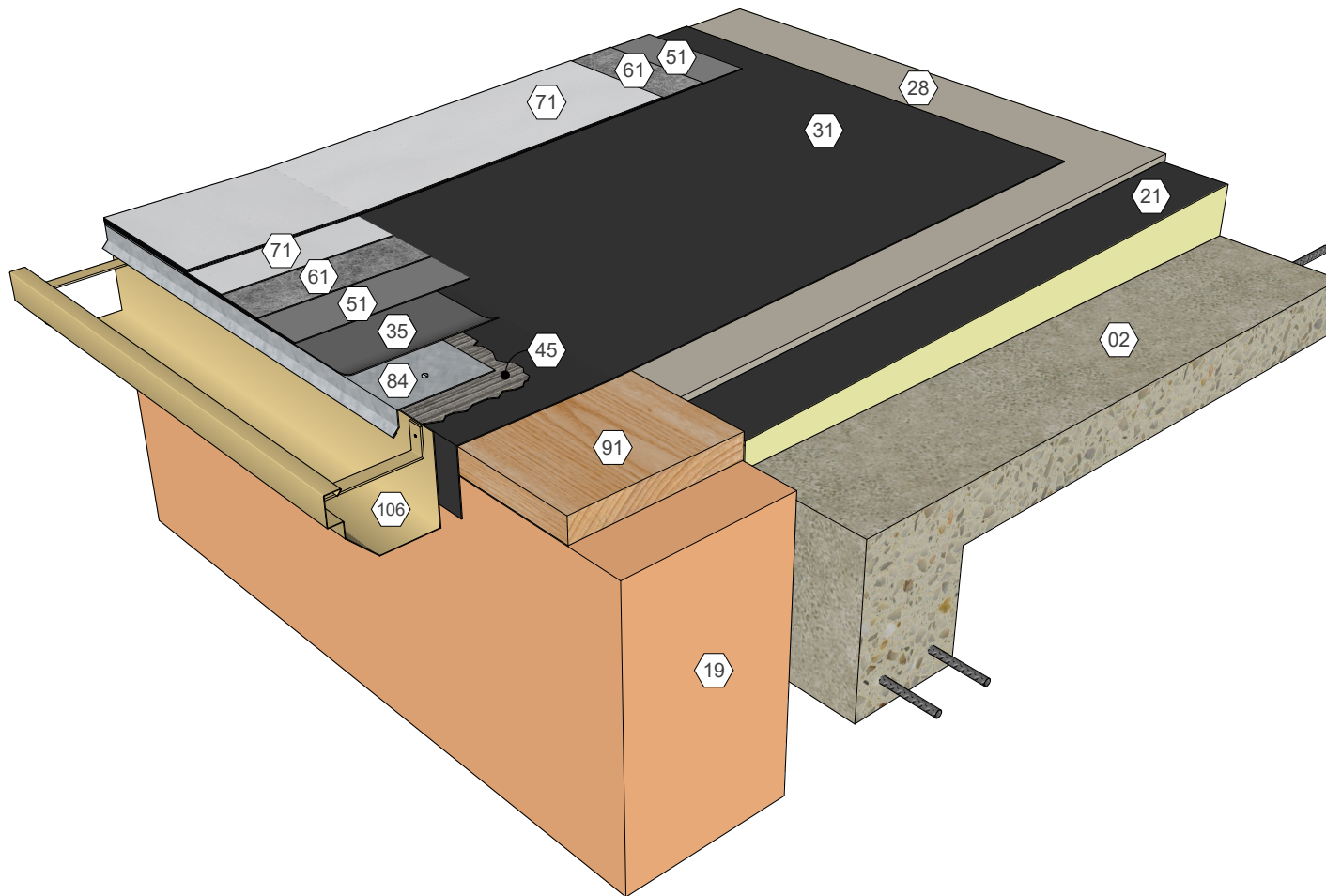
- 01 Metal Deck
- 09 Roof Structure
- 19 Wall Assembly
- 22 Polyisocyanurate Insulation (Fastened or Adhered)
- 28 Cover Board (Adhered)
- 31 Approved Base Ply Sheet
- 35 Stripping Ply
- 45 Roofing Mastic
- 51 AlphaGuard MT/MTS Base Coat
- 61 AlphaGuard Glass Mat or Permafab
- 71 AlphaGuard MT/MTS Top Coat
- 84 Sheet Metal Edge Flashing
- 91 Wood Blocking
- 106 Sheet Metal Gutter System



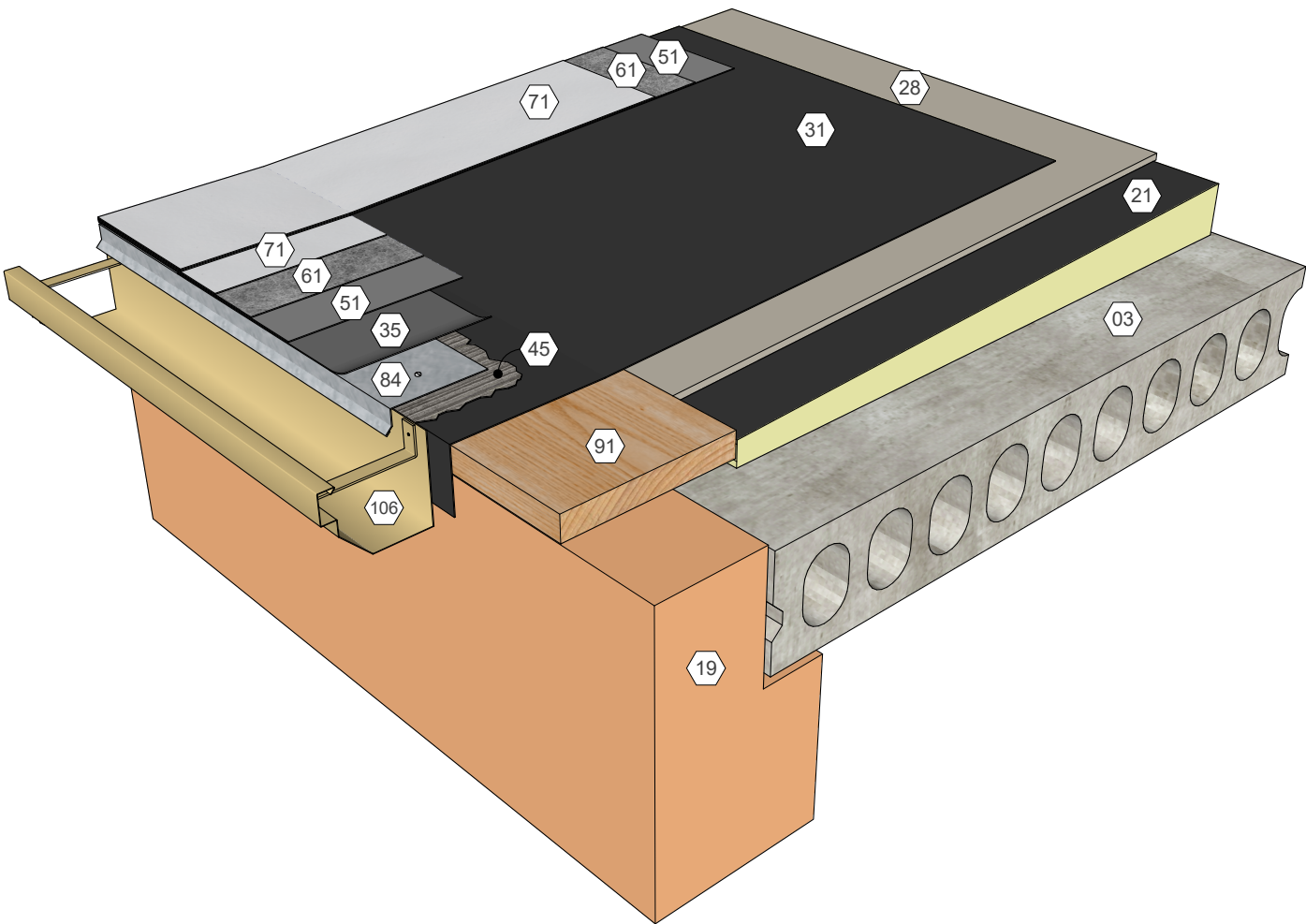
AlphaGuard® MT/MTS Plus Gutter Detail, Metal Deck  
Detail 22551

## KEY NOTES

- 02 Structural Concrete Deck
- 19 Wall Assembly
- 21 Polyisocyanurate Insulation (Adhered)
- 28 Cover Board (Adhered)
- 31 Approved Base Ply Sheet
- 35 Stripping Ply
- 45 Roofing Mastic
- 51 AlphaGuard MT/MTS Base Coat
- 61 AlphaGuard Glass Mat or Permafab
- 71 AlphaGuard MT/MTS Top Coat
- 84 Sheet Metal Edge Flashing
- 91 Wood Blocking
- 106 Sheet Metal Gutter System



AlphaGuard® MT/MTS Plus Gutter Detail, Structural Concrete Deck  
Detail 22552



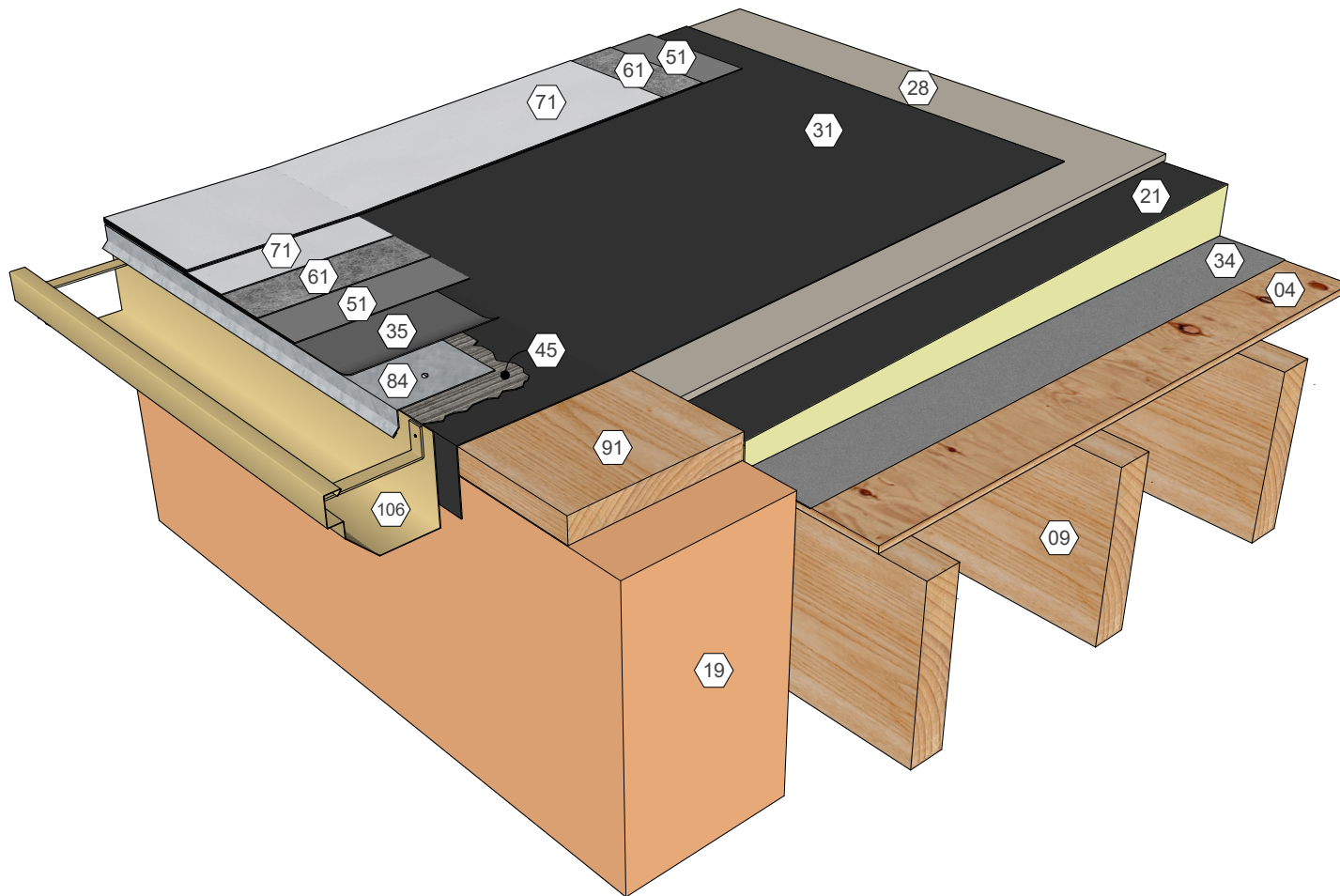
**KEY NOTES**

- 03 Precast Concrete Deck
- 19 Wall Assembly
- 21 Polyisocyanurate Insulation (Adhered)
- 28 Cover Board (Adhered)
- 31 Approved Base Ply Sheet
- 35 Stripping Ply
- 45 Roofing Mastic
- 51 AlphaGuard MT/MTS Base Coat
- 61 AlphaGuard Glass Mat or Permafab
- 71 AlphaGuard MT/MTS Top Coat
- 84 Sheet Metal Edge Flashing
- 91 Wood Blocking
- 106 Sheet Metal Gutter System

AlphaGuard® MT/MTS Plus Gutter Detail, Precast Concrete Deck  
 Detail 22553

## KEY NOTES

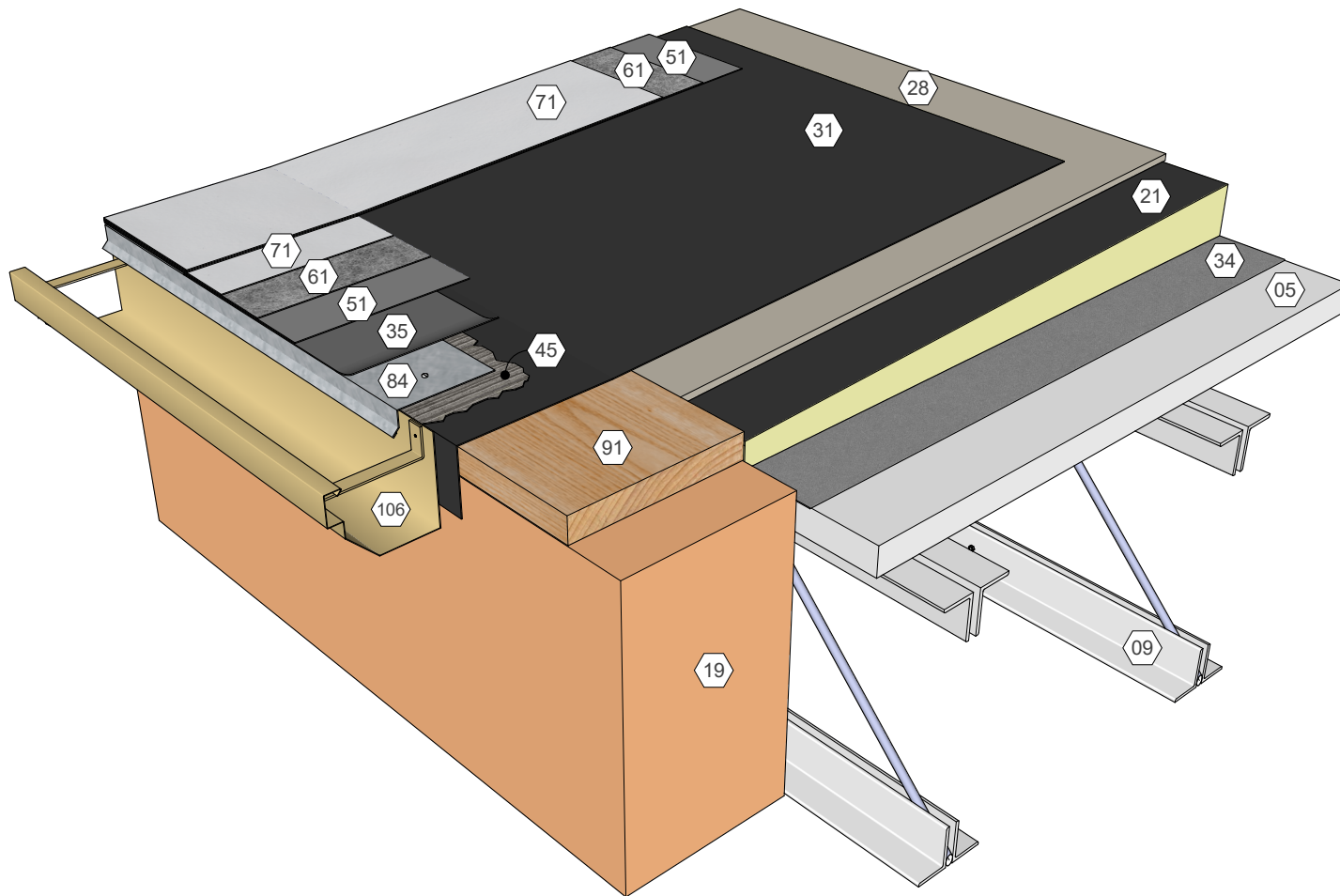
- 04 Wood Deck
- 09 Roof Structure
- 19 Wall Assembly
- 21 Polyisocyanurate Insulation (Adhered)
- 28 Cover Board (Adhered)
- 31 Approved Base Ply Sheet
- 34 Base Sheet (Fastened)
- 35 Stripping Ply
- 45 Roofing Mastic
- 51 AlphaGuard MT/MTS Base Coat
- 61 AlphaGuard Glass Mat or Permafab
- 71 AlphaGuard MT/MTS Top Coat
- 84 Sheet Metal Edge Flashing
- 91 Wood Blocking
- 106 Sheet Metal Gutter System



AlphaGuard® MT/MTS Plus Gutter Detail, Wood Deck  
Detail 22554

## KEY NOTES

- 05 Gypsum Deck
- 09 Roof Structure
- 19 Wall Assembly
- 21 Polyisocyanurate Insulation (Adhered)
- 28 Cover Board (Adhered)
- 31 Approved Base Ply Sheet
- 34 Base Sheet (Fastened)
- 35 Stripping Ply
- 45 Roofing Mastic
- 51 AlphaGuard MT/MTS Base Coat
- 61 AlphaGuard Glass Mat or Permafab
- 71 AlphaGuard MT/MTS Top Coat
- 84 Sheet Metal Edge Flashing
- 91 Wood Blocking
- 106 Sheet Metal Gutter System



AlphaGuard® MT/MTS Plus Gutter Detail, Gypsum Deck  
Detail 22555